

# NEW TRADITIONALIST™ COIL-OVER SPEEDSHOCKS

**New**  
Coil Springs



- #001-60670 Coil springs 220lb: \$89.99 pr.
- #001-60671 Coil springs 250lb: \$89.99 pr.
- #001-60672 Coil springs 300lb: \$89.99 pr.
- #001-60673 Coil springs 350lb: \$89.99 pr.

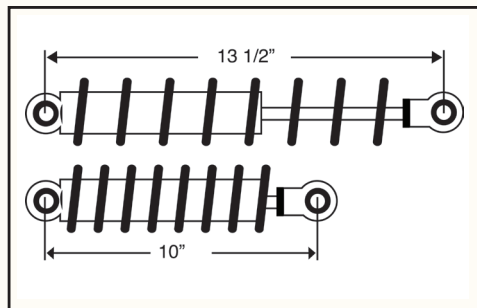
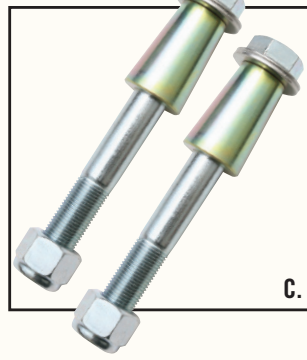
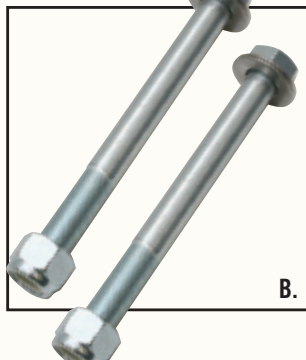
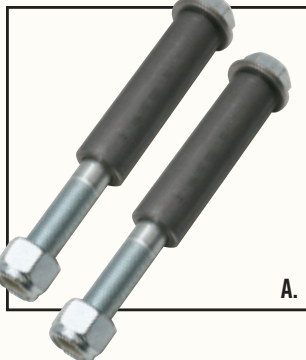
**SO-CAL Coil-Over Speedshocks**  
Manufactured in the USA to the highest standards in the industry, featuring:

- 6061 brushed alloy body.
- 10 position rebound adjustment.
- Black silicone wire springs.
- Adjustable pre-load collar nut.
- 9/16" piston shaft.
- Unique shock eye design.
- Urethane bushings.
- 10" closed, 13 1/2" extended.

**Alloy Gas Filled Coil-Over SO-CAL Speedshocks**

Manufactured to the highest standards in the industry, these brush finished 6061 aluminum coil-over shocks have a ten position rebound adjustment, black powdered coated Silicon wire springs (offered in 220lb., 250lb., 300lb. and 350lb. increments) and a collar nut for quick pre-load changes. There is a 9/16" piston shaft for added strength, urethane bushings and the unparalleled design of the upper and lower shock eyes.

- #001-60646220 Rear Speedshocks 220lb: \$389.95 pr.
- #001-60646250 Rear Speedshocks 250lb: \$389.95 pr.
- #001-60646300 Rear Speedshocks 300lb: \$389.95 pr.
- #001-60646350 Rear Speedshocks 350lb: \$389.95 pr.



**Coil Over Shock Bolt Kits:** SO-CAL has developed these easy-to-install upper and lower coil-over shock bolt kits. Upper kit includes 6" Grade 5 bolts, full locking nut and optional crossmember tube. Lower kit includes tapered spacer.

- (A) #001-62154 SO-CAL upper rear coil over shock mounting kit with crossmember bung: \$34.99 kit
- (B) #001-62155 SO-CAL upper rear coil over shock bolt kit without crossmember bung: \$11.99 kit
- (C) #001-62156 SO-CAL lower rear coil over shock bolt kit with tapered spacer: \$24.99 kit

**Adjustable Coil Over Wrench:**

- High quality adjustable wrench
  - Can be used on most coil-over shocks
- #001-60669: \$19.95 ea.



**New**